

Parameters

| Electrical parameters | |
|---------------------------|---|
| Bus Voltage | 21~30VDC |
| Communication | KNX/EIB |
| Bus current | < 20mA |
| Temperature sensor | two wires digital temperature sensor TS/C 1.0 (18B20) |
| KNX Bus terminals | (Red /Grey)0.6 – 0.8mm Diameter Single Core |
| Outputs | 8A (AC) 5A (DC) |
| Environmental Conditions | |
| Working temperature | -5°C~45°C |
| Working relative Humidity | Up to 90% |
| Storage temperature | -20°C~+60°C |
| Storage relative humidity | Up to 93% |
| Approved | |
| CE, RoHS | |
| KNX | |
| Product information | |
| Dimensions | H90mm x W72mm x D66mm |
| Weight | 168g |
| Housing Material | Flame-retarded nylon |
| Installation | 35mm Din rail installation |
| Protection rating | IP20 |

Important Notes

- **Special Programming** – This device is designed for professional KNX installation. It can only be programmed by ETS software.
- Mounting position – DB Box.
- Make sure the KNX cable type is correct and has no circuit short.
- **Check Connections** – Re-tighten all connections after installation.
- When the object is compressor need to be connect to AC contactor then connect to compressor.

Overview

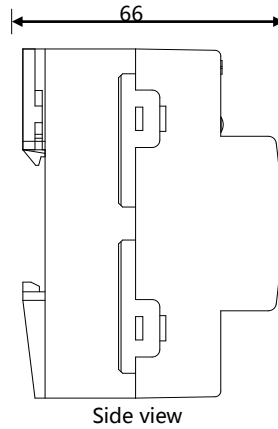
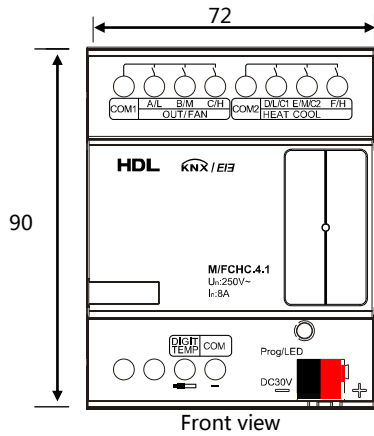


The HDL-M/FCHC.4.1 is FCHC Actuator, it is used for control air condition, fan, compressor, and floor heating. It can be work in conjunction with different panel. The channels function is set via ETS software. It supports up to 7 digital temperature sensors.

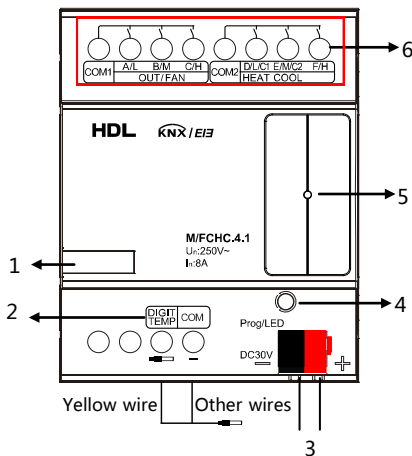
Functions

- Control modes: HVAC, Fan, Compressor, Floor Heating.
- Supports different objects: HVAC, Fan, Compressor, Floor Heating.
- Temperature alarm: when local temperature is up to the setting value, it will send alarm signal to bus.
- Active control and passive control:
When in active control mode, this module can work with panel without PI algorithm such as HDL-M/DLP04.1.
When in passive control mode, this module can work with panel with algorithm such as Siemens 5WG1.

Layout and Wirings



TS/C 1.0



1- Label area

2- Local temperature, can connect up to 7 digital temperature sensors

3- KNX/EIB interface

4- Programming button & Red programming LED & Green Local temperature LED

5- Green working LED

6- Output channels

The function of output is decided by the working mode.

HVAC mode:

Channel A, B, C are fan speed.

Channel D is heating output and channel E is cooling output.

Channel F is disable.

Fan mode:

Channel A, B, C, control one fan and D, E, F control another one.

Channel A and D are low speed, channel B and E are middle speed, channel C and F are high speed.

Compressor mode:

Channel A, B, C are fan speeds.

Channel D, E are connect to compressors.

Channel F is disable.

Floor heating mode:

Channel A, B, C, D, E, F are all floor heating

Safety Precautions



- Screw down torque is not exceed 0.4Nm
- Relay channel need protect by proper MCB or fuse
- Installation Position: Distribution Box (DB)
- Do not make wrong connection on Bus interface, it will damage the Bus interface this module
- Do not get AC240V voltage into KNX/EIB Bus wire , it will damage all of devices in system
- Do not let the module come into contact with liquids or corrosive gases.

Package Contents

- HDL-M/FCHC.4.1*1/ Datasheet*1/TS/C 1.0 *1

Contact Us

Need help or advice? Please visit www.hdlautomation.com, or contact us via: support@hdlchina.com.cn.